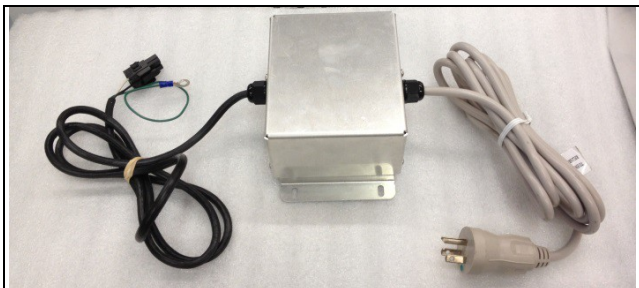


Leo Minor LED Surgical Light Ceiling - Quick Installation Guide

1.0 Scope of Delivery

Included:



1x Transformer box with light wiring harness and power cable.



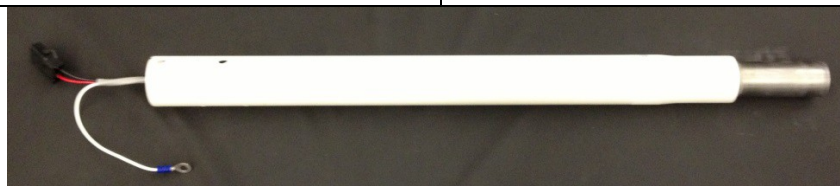
1x Leo Minor Light Head Assembly



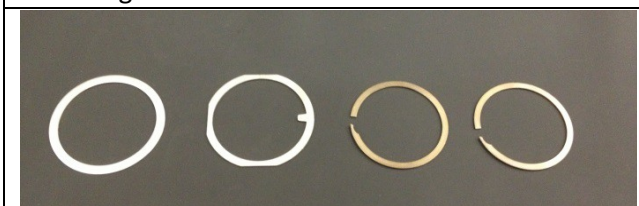
1x Ceiling Mount



1x Ceiling Arm



1x Ceiling Down Tube with light wiring harness.



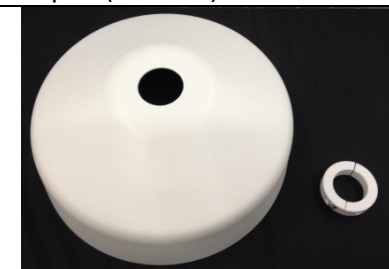
(from left to right)
1x Down Tube Washer
1x Down Tube Safety Washer
2x Down Tube Locking Rings



2x Down Tube Mounting Pins
2x Down Tube Cotter pins



1x Leo Minor Head Yoke Brass Coupler (2 halves)



1x Ceiling Cover
1x Retailing Ring

2.0 Installing the Mount

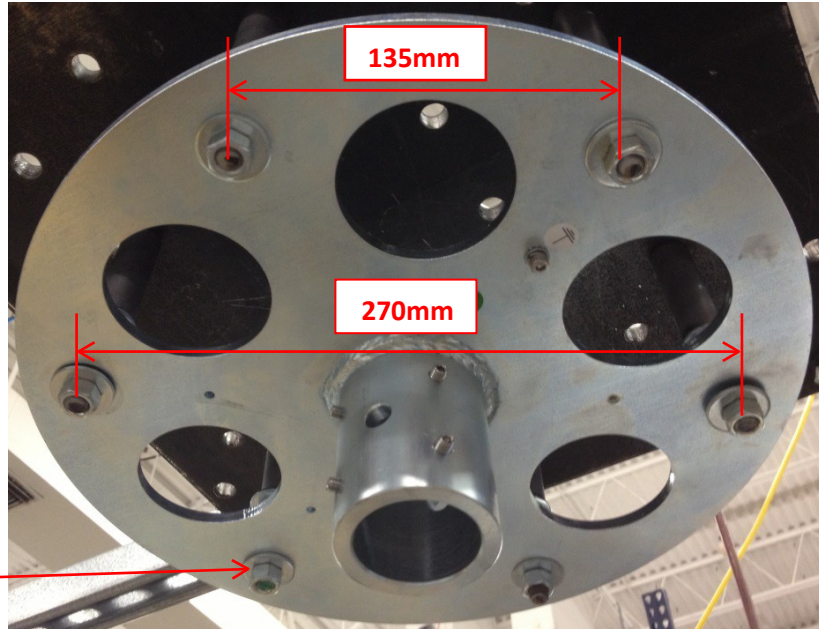
2.1 Load Data

Bending moment M_B	max. 210 Nm
Vertical weight forces F_G	max. 205 N

- 1x load only. Regional safety factors to be considered.
- Maximum device load is assumed and included.

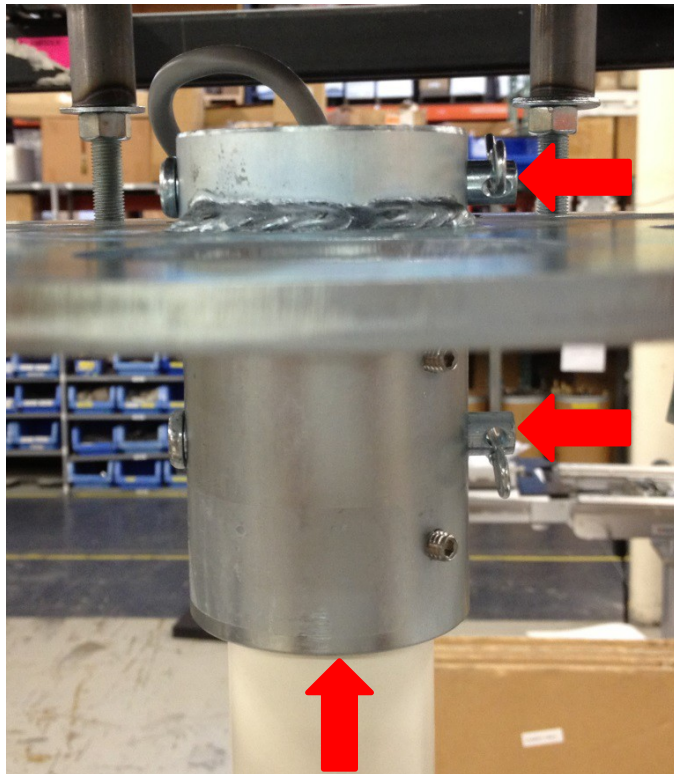
2.2 Installing the Ceiling Mount

- Secure ceiling mount to the ceiling using the mount holes provided, and the load data listed in Section 2.1. **Mounting hardware not included.**
- Insure 2" (50mm)- 4" (100mm) of clearance is present above the ceiling mount.

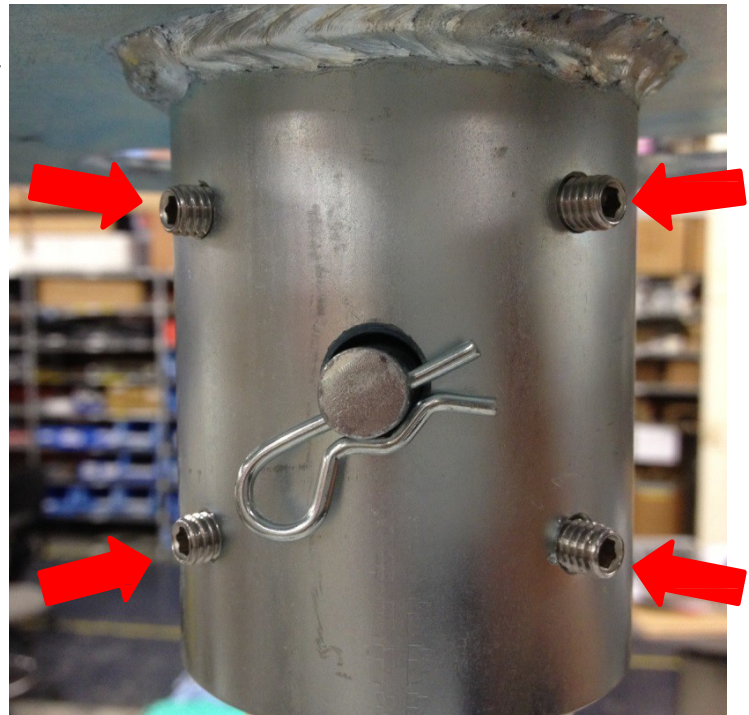


2.3 Installing the Down Tube

- Pull the lamp wiring harness from the down ceiling tube through the mounting.
- Insert down ceiling tube into the mounting.
- Secure the down ceiling tube with the 2 mounting pins and 2 cotter pins.



- Securely tighten the 4 Allen screws in the mounting.
- Down ceiling tube and the mounting must be plumb or leveled.

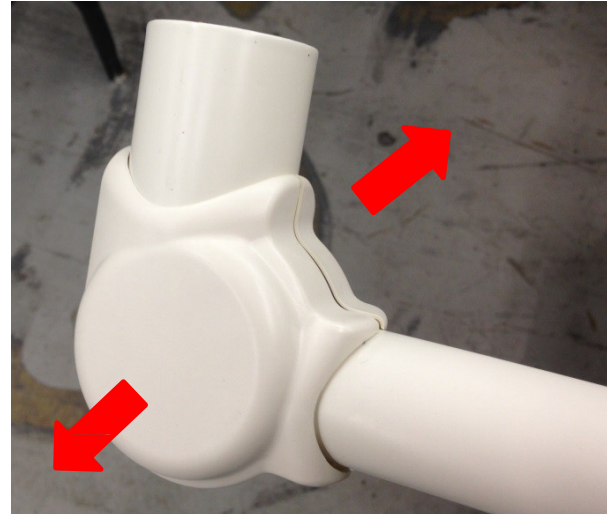


- Slide cover and retaining ring onto ceiling down tube.

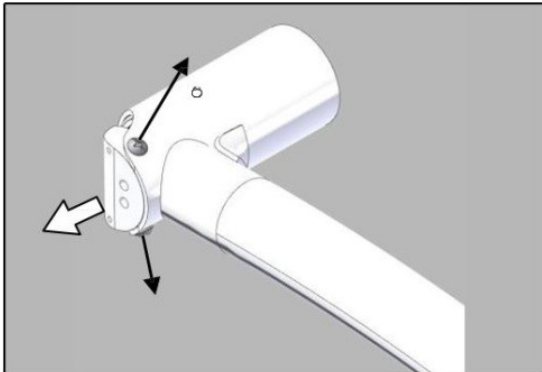


2.4 Installing the Ceiling Arm

▫Gently pry the two halves of the cover apart and set aside.



▫Remove 2 screws from receptacle mount.

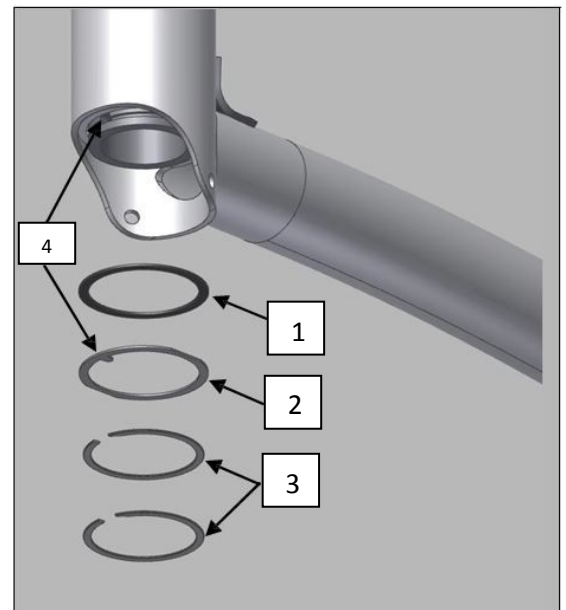


▫Gently pull the receptacle out of the arm downward.
(this will ensure clearance of installing the washer set
onto the down ceiling tube in the next step)





- First install washer (1), then safety washer (2), followed by two locking rings (3) onto the ceiling down tube.
- Ensure tooth on safety washer aligns with the hole in the ceiling tube (4).



- Replace receptacle into mount.
- Reinstall 2 screws, do not over tighten.
- Gently replace covers and snap together.



SUNNEX, INC.

8001 Tower Point Dr. Charlotte, NC 28227 1-800-445-7869, FAX: 888-668-1920 email: sunnex@sunnex.com

Visit our website at www.sunnexonline.com

2.4 Installing Leo Minor LED light Head

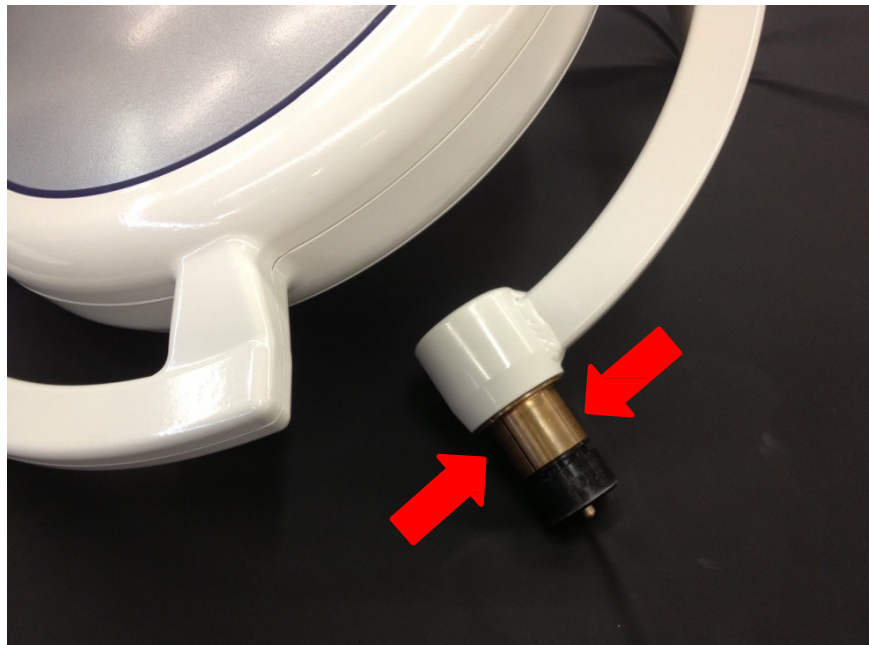
- Loosen set screw on arm end sleeve and rotate 180° to align with key and key hole.



- Gently pry key from hole and pull end cap off of arm.



- Place the 2 halve brass coupler onto yoke with flange side toward the head.
- Place a small amount of grease (supplied) on the inside and outside of coupler.



- Slide head with brass coupler into the arm.
- Replace key into key hole.



- Rotate arm end sleeve 180° and tighten set screw.



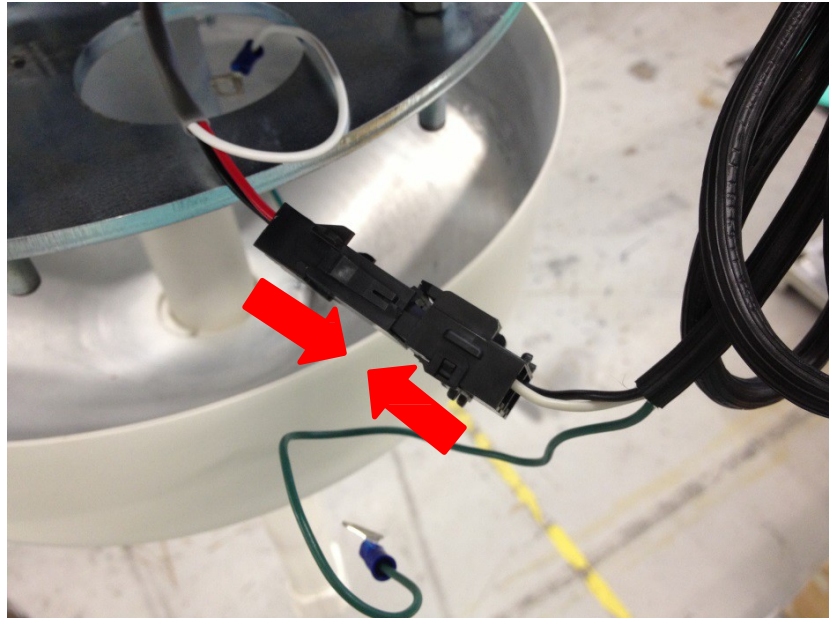
SUNNEX, INC.

8001 Tower Point Dr. Charlotte, NC 28227 1-800-445-7869, FAX: 888-668-1920 email: sunnex@sunnex.com

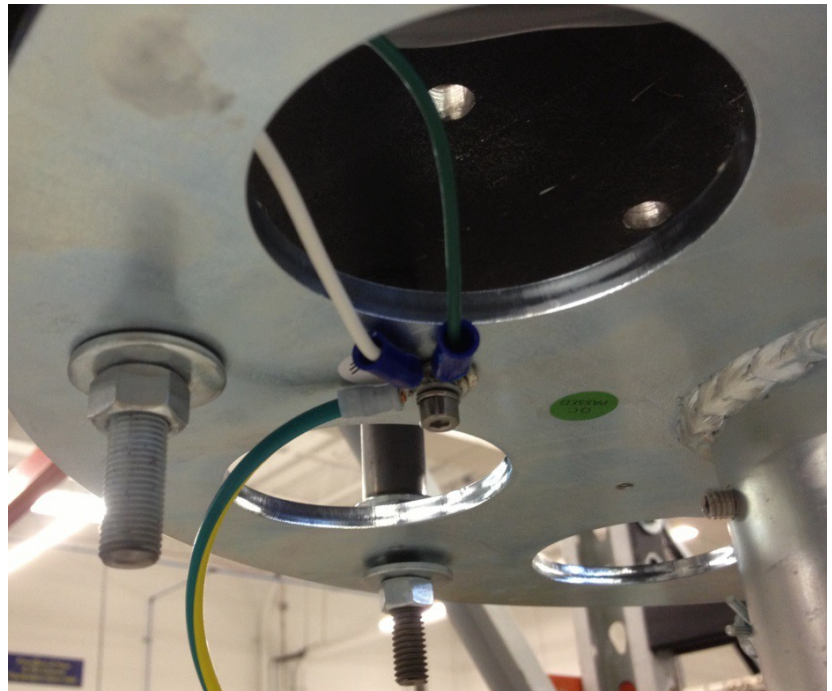
Visit our website at www.sunnexonline.com

2.5 Installing Transformer Box

- Mount transformer box in a suitable location.
- Plug connector from down tube with the connector from the transformer box.



- Join grounding wires from the transformer Box, down tube and ceiling cover onto the common grounding bolt located on the ceiling mount.



- Adjust ceiling cover to fit over ceiling mount.
- Plug transformer power cable into 120-240Vac/50-60hz power receptacle.

END

Version 2.0
October 2015

SUNNEX, INC.

8001 Tower Point Dr. Charlotte, NC 28227 1-800-445-7869, FAX: 888-668-1920 email: sunnex@sunnex.com
Visit our website at www.sunnexonline.com